

Bảng thông số sản phẩm

Thông số kỹ thuật



discrete output module, Modicon TM3, 8 relay outputs, spring, 24V DC

TM3DQ8RG

Main

| | |
|---------------------------|--|
| Range of product | Modicon TM3 |
| product or component type | Discrete output module |
| Range compatibility | Modicon M241 Modicon M251 Modicon M221 Modicon M262 |
| Discrete output type | Relay normally open |
| Discrete output number | 8 |
| Discrete output logic | Positive or negative |
| Discrete output voltage | 24 V DC for relay output 240 V AC |
| Discrete output current | 2000 mA for relay output |

Complementary

| | |
|--|--|
| Discrete I/O number | 8 |
| Current consumption | 5 mA at 5 V DC via bus connector (at state off) 0 mA at 24 V DC via bus connector (at state off) 40 mA at 24 V DC via bus connector (at state on) 30 mA at 5 V DC via bus connector (at state on) |
| Response time | 10 ms (turn-on) 5 ms (turn-off) |
| Mechanical durability | 20000000 cycles |
| Minimum load | 10 mA at 5 V DC for relay output |
| Local signalling | 1 LED per channel (green) for output status |
| Electrical connection | 11 x 2.5 mm ² removable spring terminal block with pitch 5.08 mm adjustment for outputs |
| Maximum cable distance between devices | Unshielded cable: <30 m for relay output |
| Insulation | Between output and internal logic at 2300 V AC Between outputs at 750 V AC Between output groups at 1500 V AC |
| marking | CE |
| Mounting support | Top hat type TH35-15 rail conforming to IEC 60715 Top hat type TH35-7.5 rail conforming to IEC 60715 plate or panel with fixing kit |
| Height | 90 mm |
| Depth | 84.6 mm |
| Width | 27.4 mm |

| | |
|------------|---------|
| net weight | 0.11 kg |
|------------|---------|

Environment

| | |
|---------------------------------------|--|
| Standards | IEC 61131-2 |
| Product certifications | CE cULus UKCA RCM EAC cULus HazLoc |
| Resistance to electrostatic discharge | 8 kV in air conforming to IEC 61000-4-2 4 kV on contact conforming to IEC 61000-4-2 |
| Resistance to electromagnetic fields | 10 V/m 80 MHz...1 GHz conforming to IEC 61000-4-3 3 V/m 1.4 GHz...2 GHz conforming to IEC 61000-4-3 1 V/m 2 GHz...3 GHz conforming to IEC 61000-4-3 |
| Resistance to magnetic fields | 30 A/m 50/60 Hz conforming to IEC 61000-4-8 |
| Resistance to fast transients | 2 kV for relay output conforming to IEC 61000-4-4 |
| Surge withstand | 1 kV I/O common mode conforming to IEC 61000-4-5 DC |
| Resistance to conducted disturbances | 10 V 0.15...80 MHz conforming to IEC 61000-4-6 3 V spot frequency (2, 3, 4, 6.2, 8.2, 12.6, 16.5, 18.8, 22, 25 MHz) conforming to Marine specification (LR, ABS, DNV, GL) |
| Electromagnetic emission | Radiated emissions - test level: 40 dB μ V/m QP class A (10 m) at 30...230 MHz conforming to IEC 55011 Radiated emissions - test level: 47 dB μ V/m QP class A (10 m) at 230...1000 MHz conforming to IEC 55011 |
| Ambient air temperature for operation | -10...35 °C vertical installation -10...55 °C horizontal installation |
| Ambient air temperature for storage | -25...70 °C |
| Relative humidity | 10...95 %, without condensation (in operation) 10...95 %, without condensation (in storage) |
| IP degree of protection | IP20 with protective cover in place |
| Pollution degree | 2 |
| Operating altitude | 0...2000 m |
| Storage altitude | 0...3000 m |
| Vibration resistance | 3.5 mm at 5...8.4 Hz on DIN rail 3 gn at 8.4...150 Hz on DIN rail 3.5 mm at 5...8.4 Hz on panel 3 gn at 8.4...150 Hz on panel |
| Shock resistance | 15 gn for 11 ms |

Packing Units

| | |
|------------------------------|---------|
| Unit Type of Package 1 | PCE |
| Number of Units in Package 1 | 1 |
| Package 1 Height | 7.5 cm |
| Package 1 Width | 12.5 cm |
| Package 1 Length | 10.5 cm |
| Package 1 Weight | 230.0 g |
| Unit Type of Package 2 | S02 |
| Number of Units in Package 2 | 9 |
| Package 2 Height | 15 cm |

| | |
|-------------------------------------|----------|
| Package 2 Width | 30 cm |
| Package 2 Length | 40 cm |
| Package 2 Weight | 2.427 kg |
| Unit Type of Package 3 | P12 |
| Number of Units in Package 3 | 432 |
| Package 3 Height | 195 cm |
| Package 3 Width | 120 cm |
| Package 3 Length | 80 cm |
| Package 3 Weight | 127 kg |

Bền vững

Nhãn **Green Premium™** là cam kết của Schneider Electric trong việc cung cấp sản phẩm với hiệu suất môi trường tốt nhất. Green Premium cam kết tuân thủ các quy định mới nhất, minh bạch về tác động môi trường, cũng như các sản phẩm tuần hoàn và CO₂ thấp.

Hướng dẫn đánh giá tính bền vững của sản phẩm là tài liệu kỹ thuật phổ thông giúp làm rõ các tiêu chuẩn nhân sinh thái toàn cầu và cách diễn giải việc khai báo môi trường.

[Tìm hiểu thêm về Green Premium >](#)

[Hướng dẫn đánh giá về sự bền vững của sản phẩm >](#)



Minh bạch [RoHS/REACH](#)

Hiệu suất sức khỏe

Reach Free Of Svhc

Toxic Heavy Metal Free

Mercury Free

Rohs Exemption Information [Yes](#)

Pvc Free

Chứng nhận & Tiêu chuẩn

Reach Regulation

[REACH Declaration](#)

Eu Rohs Directive

Pro-active compliance (Product out of EU RoHS legal scope)

[EU RoHS Declaration](#)

China Rohs Regulation

[China RoHS declaration](#)

Environmental Disclosure

[Product Environmental Profile](#)

Weee

The product must be disposed on European Union markets following specific waste collection and never end up in rubbish bins

Circularity Profile

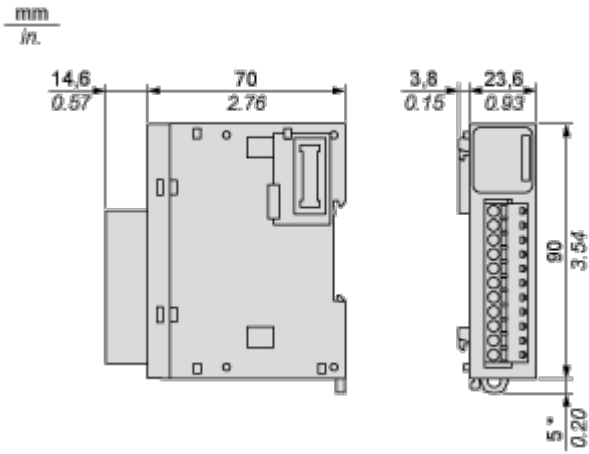
[End of Life Information](#)

Bảng thông số sản phẩm

TM3DQ8RG

Dimensions Drawings

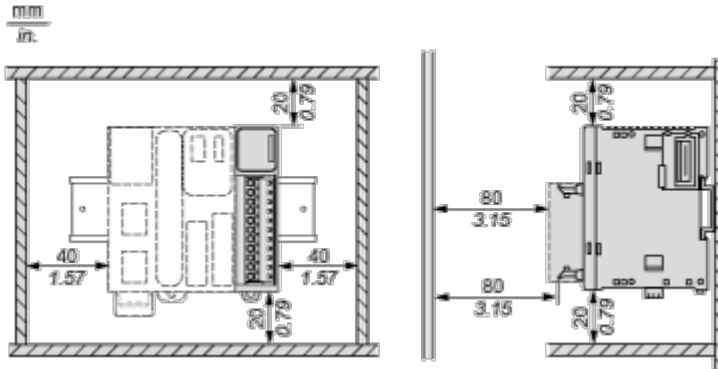
Dimensions



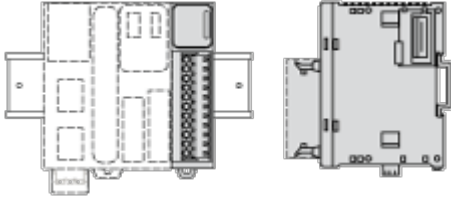
(*) 8.5 mm/0.33 in. when the clamp is pulled out.

Mounting and Clearance

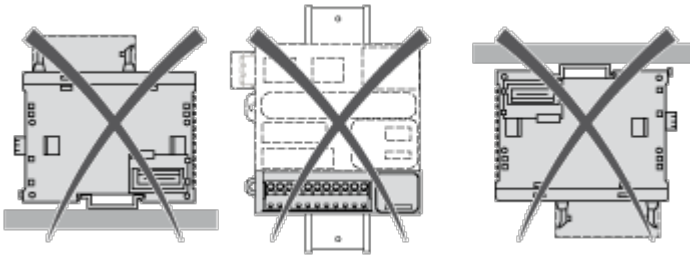
Spacing Requirements



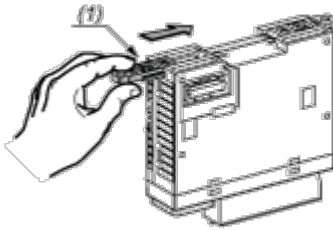
Mounting on a Rail



Incorrect Mounting

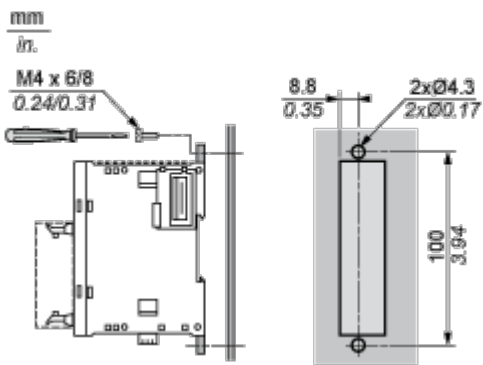


Mounting on a Panel Surface



- (1) Install a mounting strip

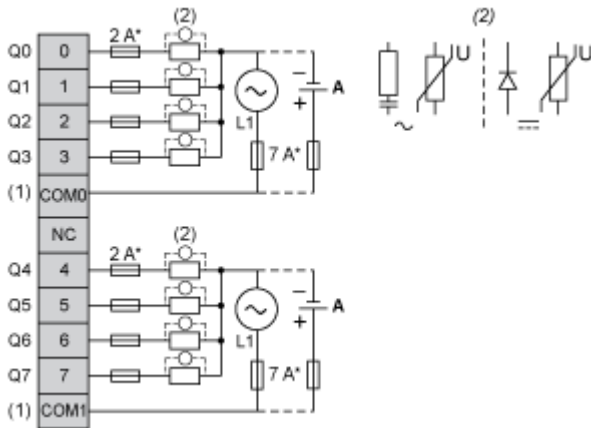
Mounting Hole Layout



Connections and Schema

Digital Relay Output Module (8-channel)

Wiring Diagram (Positive Logic)



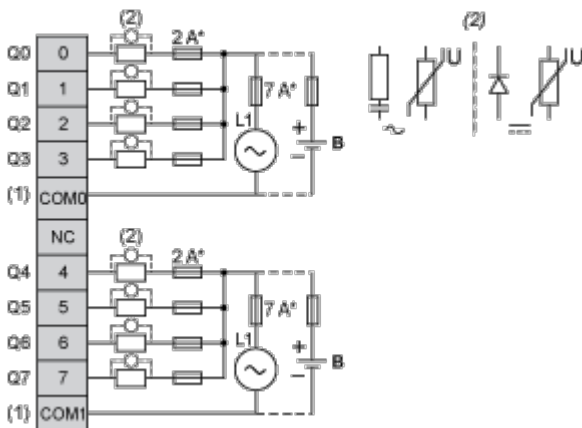
(*) Type T Fuse

(1) The COM0 and COM1 terminals are **not** connected internally.

(2) To improve the life time of the contacts, and to protect from potential inductive load damage, it is recommended to connect a free wheeling diode in parallel to each inductive DC load or an RC snubber in parallel of each inductive AC load.

(A) Source wiring (positive logic)

Wiring Diagram (Negative Logic)



(*) Type T fuse

(1) The COM0 and COM1 terminals are **not** connected internally.

(2) To improve the life time of the contacts, and to protect from potential inductive load damage, it is recommended to connect a free wheeling diode in parallel to each inductive DC load or an RC snubber in parallel of each inductive AC load.

(B) Sink wiring (negative logic)